



Chris Barks Productions:  
 ABN: 78 581 038 145  
[info@chrisbarksproductions.com.au](mailto:info@chrisbarksproductions.com.au)  
 0459 696 802

# Equipment List

## Sound Consoles

- 1 Allen & Heath SQ5 with Dante 64x64 option card
- 1 Allen & Heath ZEDi-10FX
- 1 Allen & Heath ZED12FX
- 1 Pioneer DDJ-SX



## Audio Interfaces

- 1 Focusrite Scarlett 2i4

## Stagebox and looms

- 2 Allen & Heath DX168
- 4 8-way XLR looms 3m
- 1 4-way XLR looms 1m
- 1 50m EtherCon tour grade cable on drum
- 1 50m ethernet cable
- 1 30m ethernet cable
- 1 30m 8in/4out analogue snake
- 50 Various length Cat6 and Cat5e ethernet



## Sound Processing

- 1 DBX Driverack PA2
- 1 DBX goRack
- 1 Radial StageBug SB-5 Laptop DI 3.5mm jack
- 3 Radial J48 DI
- 3 Radial JDI
- 1 SMPPro DI8E
- 2 Sennheiser ew500 G4 Wireless Guitar Sets



## Amplifiers

- 4 QSC PLD 4.5 4ch 5000w (8000w peak) Processing Amplifier



## Speakers and subwoofers

- 4 QSC E110 2-way Passive
- 2 QSC E215 3-way Passive
- 2 QSC E218sw Double 18 inch subwoofer
- 2 QSC K12 2-way
- 1 QSC KW181 subwoofer



**Microphones**

- 2 AKG C414XLS High End Studio Microphone (Stereo pair)
- 2 AKG C451 High End Studio Microphone (Stereo pair)
- 2 Aston Starlight Pencil Condensers (Stereo pair)
- 1 Beyer Dynamic M88 TG
- 4 Shure SM58
- 4 Shure SM57
- 2 Shure Beta 57A
- 1 Sennheiser e902 Large Drum Mic
- 3 Sennheiser e904 Tom Mic
- 2 Sennheiser e906 Guitar Amp mic
- 2 Sennheiser e835 wired
- 2 Sennheiser e835 wireless (XSW series)
- 1 Sennheiser MKH416 Shotgun Microphone
- 2 Sennheiser ew500 G4 Lapel (headset options also available as well as guitar jacks)
- 6 Rode M5 (3x Stereo pairs)
- 1 Rode NT2A
- 2 Sontronics STC10
- 15 Generic Contact microphones
- 1 Rode VideoMic ME
- 1 Rode iXY Stereo Microphone (Lightning Adapter)
- 1 PreSonus RTA Microphone
- 1 Australian Monitor Lecturn Microphone
- 1 Shure PG48



**Sound Stands**

- 2 K&M 21336 Distance Rod with carry bag
- 5 K&M 210/9 Microphone Stand
- 2 K&M 21021 Overhead Boom Stand
- 1 K&M 259/1 Small Mic Stand
- 5 K&M 259 Medium Mic Stand
- 1 Hercules speaker stands
- 1 Hercules tablet stand for microphone stands
- 2 On Stage Stands desk stand
- 1 Rode Stereo Bar
- 1 Rode SM6 Schockmount
- 1 QSC M6 Subwoofer Pole for Mid High boxes
- 8 Generic microphone stands



**Sound cabling**

- 30 IEC to GPO cables (various lengths) (estimated)
- 30 GPO Extension leads (10A and 15A - mixed) (estimated)
- 14 Neutrik SpeakOn Speaker Cable (30cm to 20m length - 2-core 2.5mm)
- 45 XLR cables (various lengths from 50cm to 30m) (estimated)



**Sound cabling**

- 8 1/4' instrument cables (mono/stereo) (various lengths) (estimated)
- 50 various other cables and adapters available (estimated)

**Lighting Control**

- 1 LSC Mantra Lite
- 3 Chauvet DataStream 4
- 1 Wireless Solution Whitebox F-1 G5 W-DMX Antenna
- 1 LSC APS Power Distribution 12/10A 32A 3-phase with DMX
- 1 LSC GenVI 10/12A Dimmer Distro 32A 3-phase with DMX
- 2 Chauvet DMX-AN (sACN/Art-Net converter)
- 1 Chauvet D-Fi Wireless DMX Transmitter/Receiver



**LED Lighting**

- 10 ShowPro FusionPar H XII
- 1 Chauvet SlimBank UV
- 2 3m LED Festoon (Vintage Style)
- 4 Chauvet Freedom Sticks



**Lighting Cabling**

- 50 5-pin DMX Cable (various lengths)
- 45 3-pin DMX Cable (various lengths)
- 2 15m 3-phase 32A extension
- 1 5m 3-phase 32A extension
- 1 20A (M) 3-phase to 32A (F) 3-phase adapter
- 15 Powercon True 1 Male GPO - Female True 1)
- 5 Powercon True1 Male - Female (various lengths)



**Effects lights**

- 1 Chauvet GigBar MOVE ILS
- 4 Chauvet Freedom Sticks

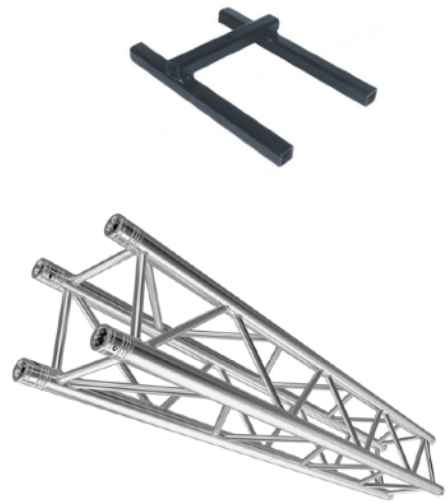
**Lighting fixing hardware**

- 15 Safety Cable
- 15 G clamps
- 10 ADJ Hard plastic Wrap around clamps
- 5 Stage Truss Steel Wrap around clamps



### Rigging

- 5 2m Global Truss Box Truss F34
- 1 1m Global Truss Box Truss F34
- 5 Global Truss Steel Truss Base Plates 1000mm x 1000mm
- 2 Global Truss Steel Truss Base Plates 310mm x 310mm
- 2 50mmØ x 4mmT x 500mmL Boom Arm
- 4 3.2m steel tube
- 9 Spigots
- 1 K&M 24630 with Custom T Bar accessory
- 20 H stands (small)
- 20 H stands (large)
- 2 AVE T Bar
- 1 On Stage Systems Overhead 2-pole truss
- 3 Lycra F34 Box Socks - Black



### Effects machines

- 1 Chauvet Hurricane 1600
- 1 Antari ICE-101
- 1 Chauvet Geysier



### Video

- 1 Blackmagic Design ATEM Television Studio 8 ISO Vision Switcher
- 1 Canon XF605 4K 12G HDMI SDI Camera
- 1 DJI Mavic 3 4K Drone
- 1 GoPro Hero 8 with Media Mod
- 3 Hisense A7HAU 75inch ULED Television Screens
- 3 TV to Truss brackets
- 5 HDMI to SDI 12G converters
- 5 SDI to HDMI 12G converters
- 10 SDI 75ohm RG6 Cable (various lengths)
- 1 Decimator Design 1080 converter
- 1 Graphic and video processing and routing rack with various video software (12G/4K capability)
- 2 Logitech Presentation Remotes
- 1 Benro BV6 Camera Mount
- 20 HDMI to HDMI (incl Mini, and Micro HDMI converters)



### Event Communications

- 1 JANDS EziCom Master Station
- 3 JANDS EziCom Beltpacks
- 4 JANDS EziCom Headsets



**Miscellaneous**

- 2 Laptop Computer
- 1 iPad Pro
- 1 TP-Link Wireless Router
- 1 TP Link Unmanaged Switch 24port Gigabit
- 4 Ubiquiti Networks NanoBeam AC Gen2 CPE Antennas
- 5 Carpet (various sizes)
- 2 Cable testers
- 1 Dual Screen Table Swivel Stand
- 1 Managed Network Solution (Ubiquiti Unifi with Router, Switch, 2x Access Points and Controller)
- 1 Netgear Unmanaged 8 port switch
- 50 Cat5, Cat6 ethernet cable (terminated) - various lengths



**Software**

- 1 Apple Logic Pro
- 1 Apple Motion
- 1 Apple Compressor
- 1 Avid Pro Tools 2023
- 1 Apple GarageBand
- 1 Apple Main Stage



We also have a range of other software and plugins for DAWS. This includes programs such as QLab, Sennheiser Wireless Systems Manager, Audacity, Melodyne, Serato DJ Pro, StagePlotPro and many many more.

Our plug-in suites include many plugins from Avid, iZotope (Insight, Ozone and others), SoundToys, Blue Cat, and Waves (we currently have the Gold, Diamond and SSL 4000 bundles).

Our virtual instruments are from Avid, iZotope and AIR Music Technology.

Christopher Barks is also an Avid Certified Pro Tools User so rest assured that when it comes to recording or making your next track, that you are in good hands.



**Safety**

- 3 Traffic Cones/Hats
- 2 Walkway barriers for Traffic Cones/Hats
- 10 Safety Vest
- 45 Cable Guards (industrial type, 2ch, rated for trucks)



Please note that some equipment may require our own operator. All equipment hire is subject to Chris Barks DJ's Equipment Hire Policy which is to be read, agreed and signed by the hirer. If you need any other equipment, we may be able to source it up for you. Please send us an email at [info@chrisbarksproductions.com.au](mailto:info@chrisbarksproductions.com.au) describing your requirements or call 0459 696 802.